

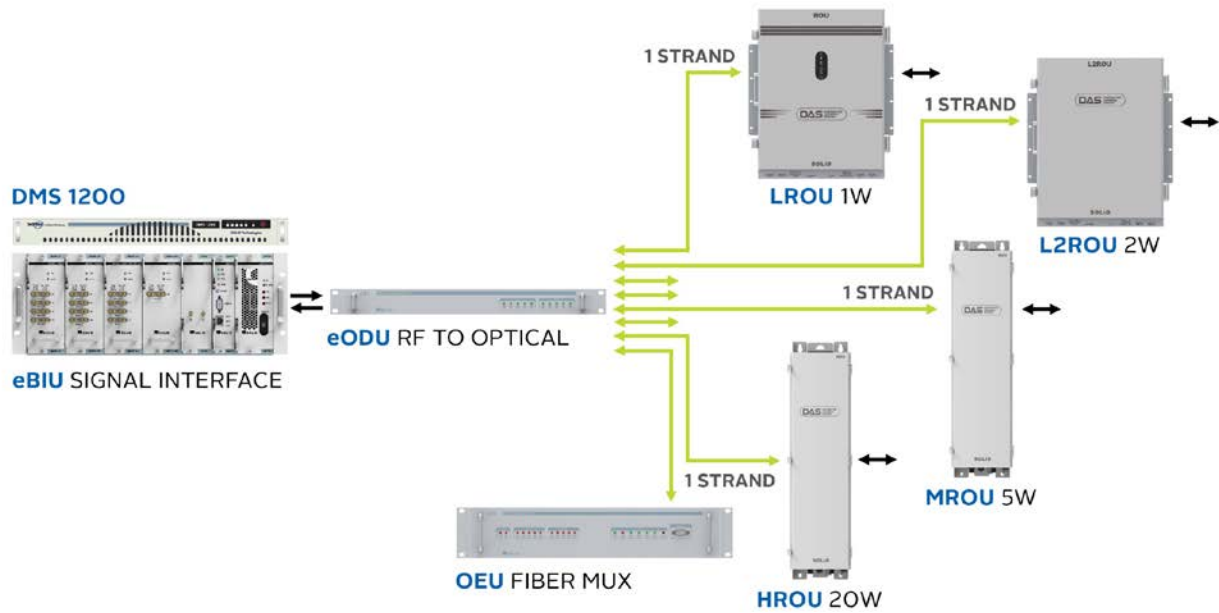
The Enhanced Optical Distribution Unit (eODU) receives downlink RF signals from the BTS Interface Unit (BIU) or enhanced BIU (eBIU), converts the RF signals to optical, then sends the signal to the remote optic units (ROUs) or to the Optic Expansion Unit (OEU) via fiber optic cabling. This process is reversed for the uplink path.

The eODU is co-located with the BIU/eBIU from which it receives power and RF communication. Two coax cables and a power cable connect each eODU to the BIU/eBIU. A maximum of four eODUs can be connected to each BIU/eBIU.

NOTE: The eODU is an updated version of the ODU, changing the RF ports from SMA to QMA (female).

Features

- RF to optical / Optical to RF conversion
- Modular design – up to 8 optical ports
- 5 or 10dBo link budget to ROU or OEU
- Single strand per ROU or OEU
- Single Mode, SC-APC connection
- Compact form factor (1RU) – 19” rack mount



Specifications	Description
RF Connectors	2 QMA type, female
Fiber Connector	8 ports (w/ two 4-port Donor Optic Units), SC/APC
Dimensions	19"W x 1.75"H x 17.7"D (482.6 x 43.6 (1U) x 450mm). Fits 19" Rack
Operating Temp	14 to 122°F (-10 to +50°C)
Weight	12.5 lbs. (5.7 kg) fully loaded with 2 Donor Optic Units
Power consumption	30W fully loaded with 2 Donor Optic Units
Optical Wavelength	TX: 1310nm. RX: 1550nm
Transmit Power	4-Port Optic Unit: 3dBm±1dBm to ROU and OEU / 1-Port Optic Unit: 10dBm±1dBm to ROU and OEU
Optical Link Budget:	ODU to OEU or OEU to ROU or ODU to ROU: 10dB _o for 1-port Optic Unit, 5dB _o for 4-port Optic Unit
Compliance	Emissions (N. America) FCC Part15 Subpart B, Class A, FDA/CDRH Rules for Class 1 LASER

Configuration Guidelines / Part Numbers

Each BIU/eBIU can support one to four eODUs. Each eODU can support two 1-port or 4-port Optic Modules. If only one optic module is used, a blank plate is required for the empty slot.

eODU and Optic Modules	Part Number
Optical Distribution Unit Chassis	eODU_C
1-Port Donor Optic Unit	ODU_OM_1 / OEU_OM_1
4-Port Donor Optic Unit	ODU_OM_4 / OEU_OM_4
Blank module for the eODU or OEU	ODU_B / OEU_B



SOLID Gear, Inc.
 800 Klein Road, Suite 200
 Plano, TX 75074
 PHONE: 888.409.9997
 EMAIL: sales@solid.com
 WEB: www.solid.com

