

# INFINITY ACCESS™

## SOLiD Tunable Optical Access Platform

**INFINITY ACCESS™ unlocks network capacity within an existing fiber plant to achieve economics of scale, reducing capital expenditures and lowering operational expenditures by creating simple and efficient optical access networks.**

Using patented INFINITY TUNABLE LASER™ on top of wavelength-division multiplexing (WDM), INFINITY ACCESS™, unlike other passive optical network (PON) technologies, provides independent channels of traffic over fibers while maintains PON's simplicity and cost-effectiveness through the use of full passive remote nodes.

Each independent channel is capable of carrying Gigabit Ethernet (GbE) and/or CPRI/OBSAI up to 10Gbps which makes INFINITY ACCESS™ perfect fit to today and tomorrow's access infrastructure onward Hetnet and Super Broadband.

INFINITY ACCESS™ supports multiple topologies including point-to-point, point-to-multipoint/star, linear chain and ring.

### KEY FEATURES

- Patented INFINITY TUNABLE LASER™ simplifies logistics and reduces inventory management cost
- Low system latency: fully symmetric and dedicated connections without both traffic sharing and complex bandwidth control
- System supports up to 256 wavelengths in expansion mode which can be GbE, CPRI/OBSAI or mixed
- Delivers service 30km@GbE without any field actives
- Installation and commissioning in minutes, not days

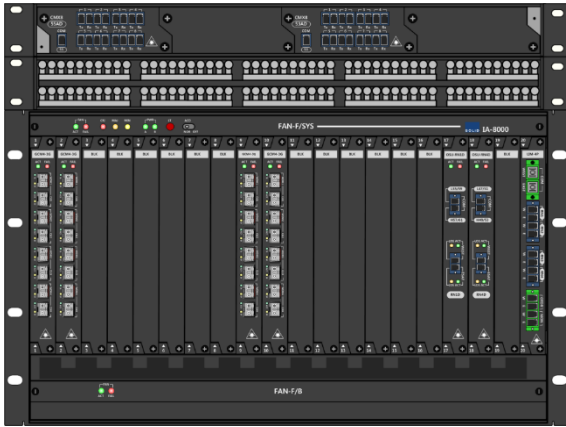
### SYSTEM SPECIFICATION

Item	Specification
System Capacity and Dimension	Capacity: 64 GbE/CPRI (and/or OBSAI) channels (i.e. 128 λs) - Expanded up to 128 channels (i.e. 256 λs) by using expansion shelf Dimension: 19 inch, 8U height, rack mountable chassis
Topology	Point-To-Point / Point-To-Multipoint Protected Ring Linear
Distance	30 km@GbE/20Km@CPRI 3
Wavelength	CWDM band support
ONT Tunability	Support
Interfaces	Protocol: CPRI3/ GbE Form factor: SFP/SFP+ (multimode or single mode laser)
Link Protection Switching Time	Less than 50ms
Power	-48V/+24V DC (redundant)
Power Consumption	max 310 Watt per chassis
Operation Environment	Temperature: -5 °C ~ +50 °C (for COT) Humidity: 0 ~ 80%

## INFINITY ACCESS™ SYSTEM OVERVIEW

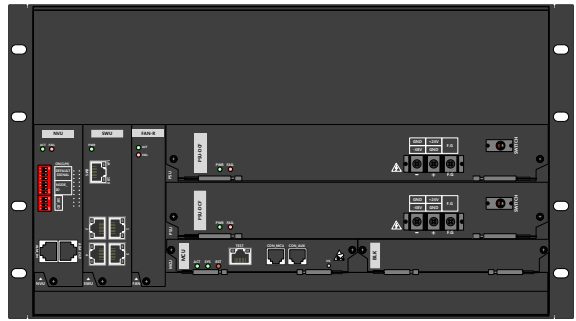
### INFINITY ACCESS™ Central Office Terminal (COT)

- System Capacity: Up to 128 CPRI/GbE symmetric channels by using expansion shelf
- User Interface Card<sup>1</sup>: GbE, 10GE and CPRI/OBSAI
- Hardware<sup>2</sup>: 19", 6RU, 20 slot
- Power: DC -48/+24V, 1+1 protection / Operating Temperature: -5 °C ~ +50 °C (Ambient)



COT Front view

(Both COT main shelf and passive module shelves are shown)



COT Rear view

(Only COT main shelf is shown)

### INFINITY ACCESS™ Remote Node (RN)

- RN filters WDMed signal into individual channels towards customer premise
- Temperature rated for outdoor use; Indoor rack mount and outdoor pole mount option available
- Hardware: 19", 1RU, 4 slot



RN Front view

(Only Indoor rack mount RN and passive module shelves are shown.)

### INFINITY TUNABLE LASER™ for Customer Premise/RT

- Full MSA compliant SFP or SFP+ form factor; Compatible for 3<sup>rd</sup> party products (RRHs, Switches, Wifi APs, Home GateWays)
- Uplink/Downlink: 16 channels (32 λs) available in C-band<sup>3</sup>
- No additional power required
- Temperature rated for outdoor use
- Fully managed through INFINITY ACCESS™ COT

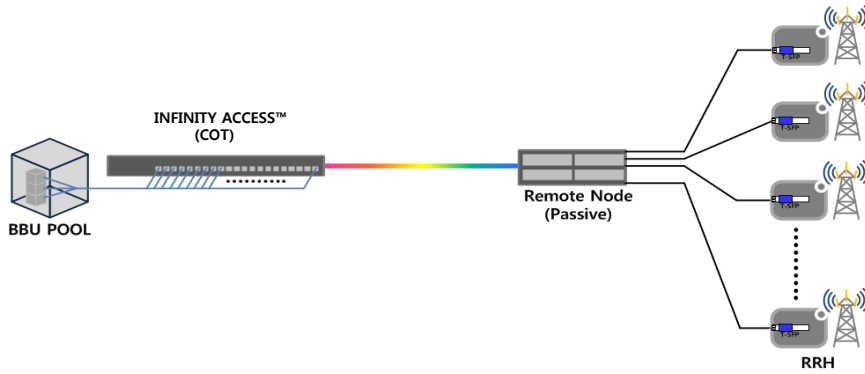
| Note: 1. Ask SOLiD for detail ordering part numbers and availabilities.

2. 6RU excludes passive filter shelf.

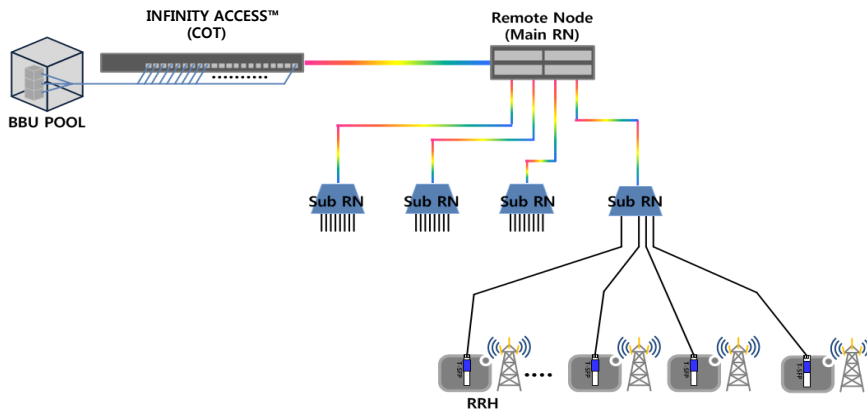
3. More numbers of wavelengths will be available soon.

# TOPOLOGY

## Point-To-Point (PTP)



## Star/WDM Optical Tree



## Protected Ring

